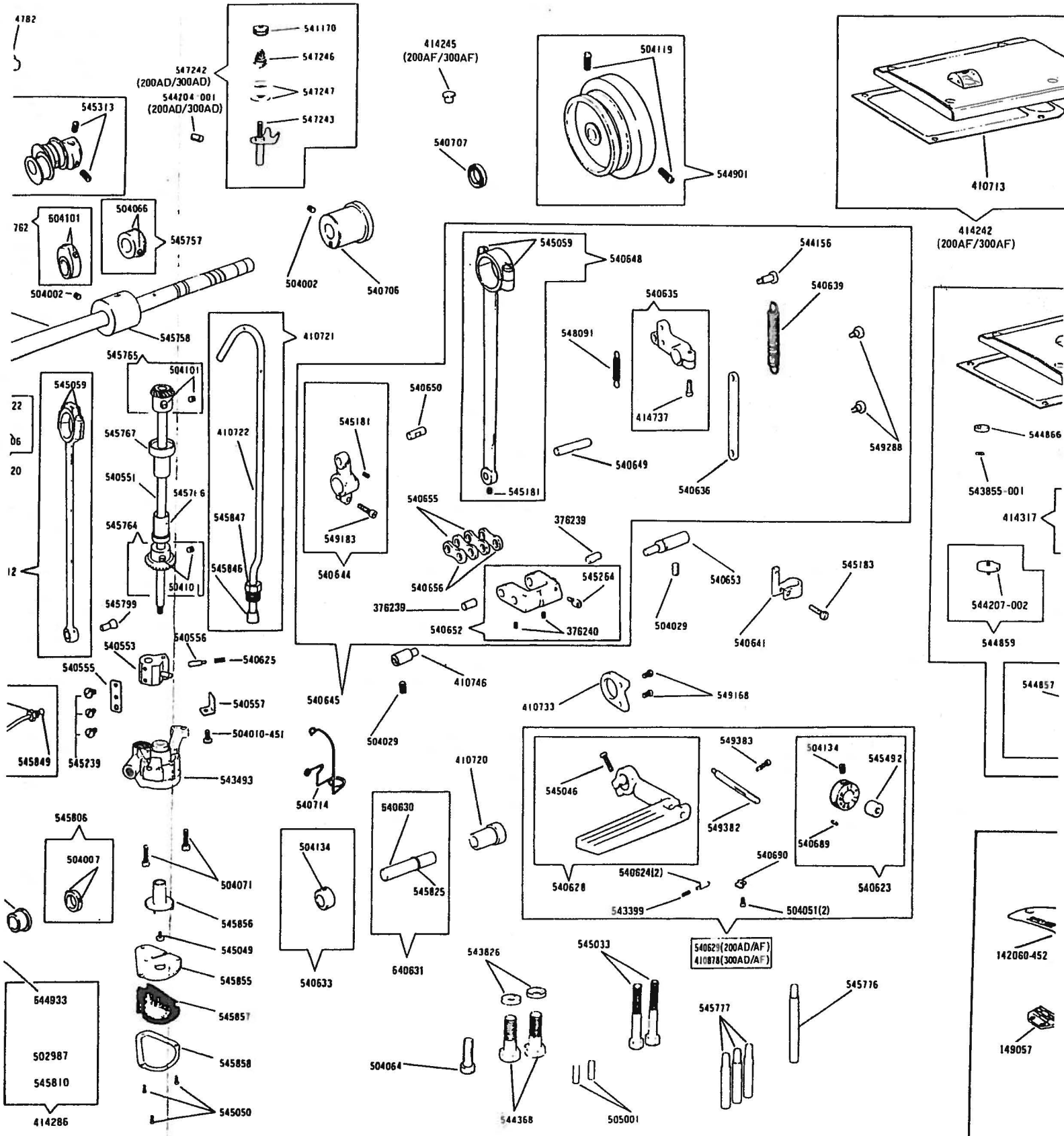
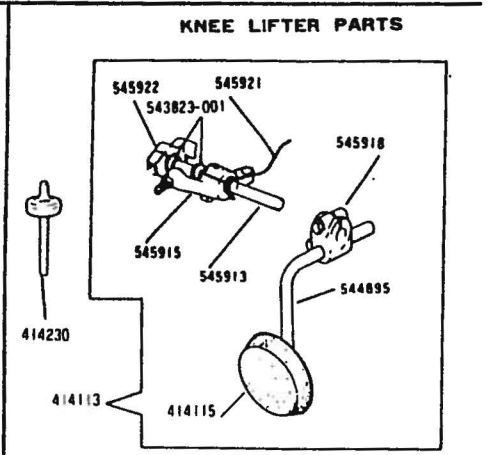
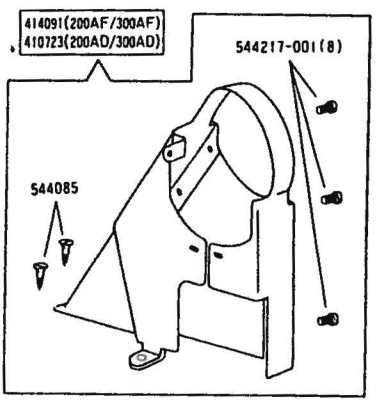
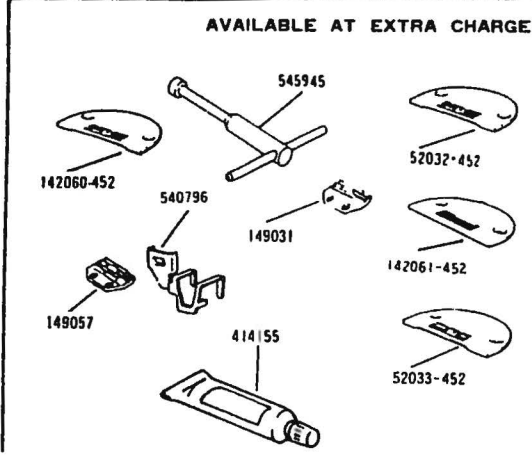
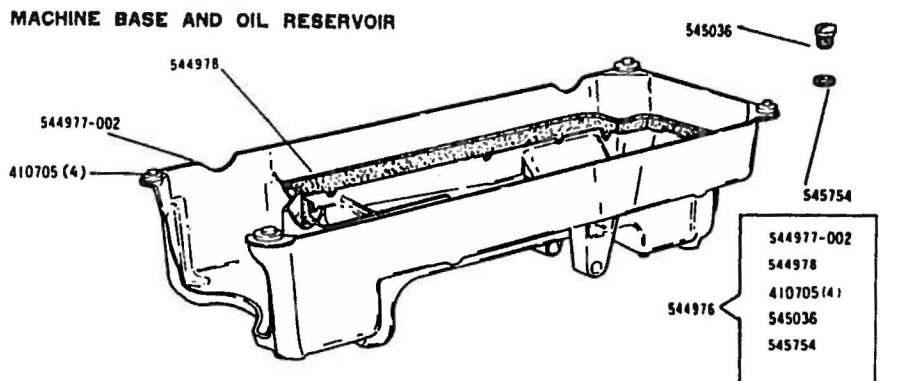
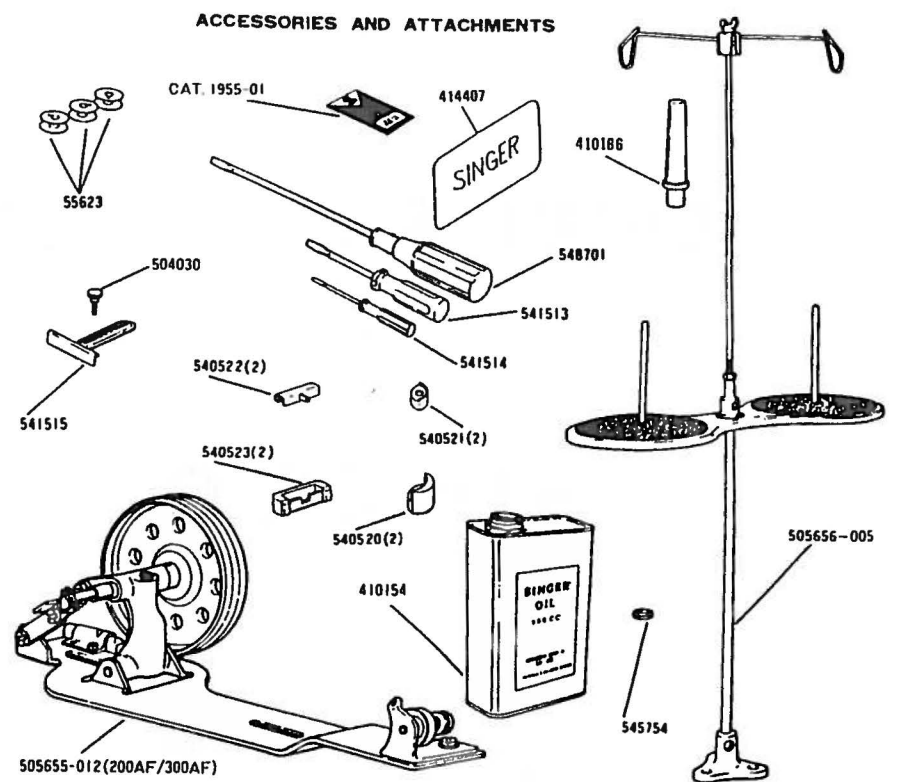
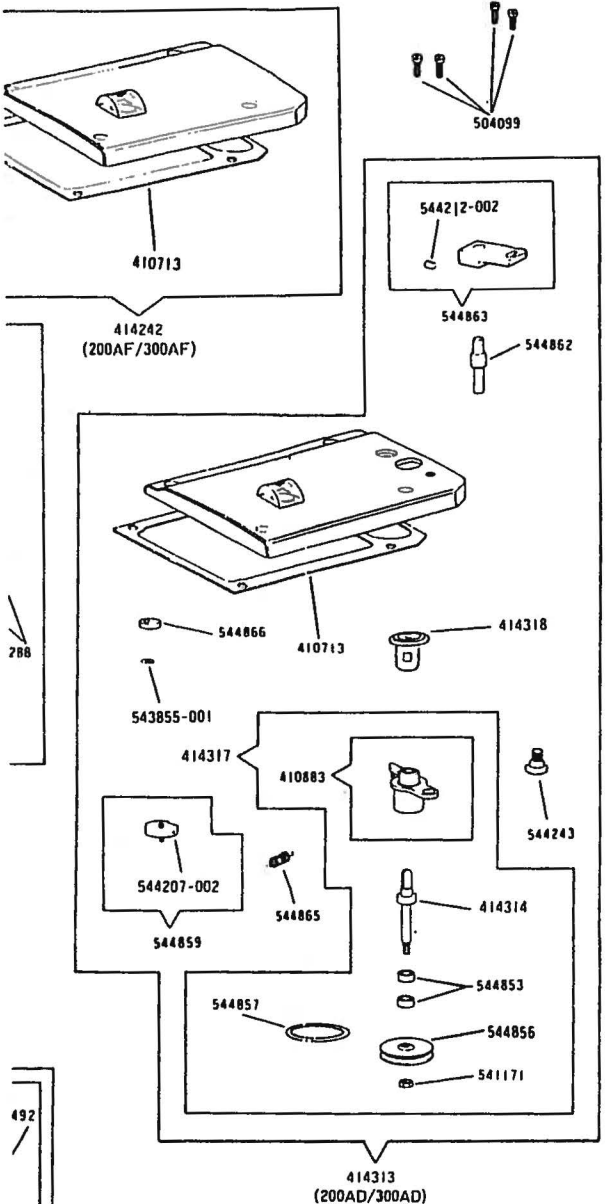


MACHINE PARTS CHART **for** **SINGER***

591 D200AD/AF
D300AD/AF





PAKI NO.	DESCRIPTION		
691-845	Throat Plate Screw (2)	414314	Bobbin Winder Spindle
2102	Tension Disc (2)	414317	Bobbin Winder Complete, Nos. 414314, 410883, 541171, 544856, 544857 and two 544858
12431-452	Bed Slide		Bobbin Winder Spindle Thread Guard
12481	Feed Dog 17 teeth (18 teeth to the inch) (for 300 AD/AF)	414318	Presser Bar Spring
		414341	Presser Bar Guide
12482-452	Throat Plate (for heavy material sewing) (for 300 AD/AF)	414342	Presser Bar Guide and Pressure Regulating Thumb Screw
		414343	Feed Dog, 21 teeth (22 teeth to the inch) (for 200 AD/AF)
16380	Oil Removing Lint Screen	414463	Throat Plate (small needle hole) (for 200AD/AF)
32758	Thread Take-up Spring	414464	Feed Reverse Lever Hinge Stud Crank Clamping Screw
52130	Thread Take-up Lever Thread Eyelet Bushing	414737	Feed Rock Shaft O-ring
52454	Thread Retainer		Feed Rock Shaft Oil Plug
55623	Rotating Hook Bobbin		Arm Shaft (horizontal) Flanged Bushing (back) Set Screw
125314	Tension Spring (for 300AD/AF)	416000	Arm Shaft (horizontal) Bushing (center) Set Screw
143042	Rotating Hook Shaft Oil Filter Wick (felt)	502987	Arm Shaft (horizontal) Flanged Bushing (front) Set Screw
143058	Needle Bar Connecting Stud Slide Block	504002	Rotating Hook Shaft Bushing (back) Set Screw
146610	Presser Bar Lifting Lever Spring	504002	Rotating Hook Shaft Bushing (front) Set Screw
154781	Presser Bar Lifting Lever Pin Set Screw	504002	Thread Take-up Lever Link Hinge Stud Set Screw
154781	Thread Take-up Spring Regulator Set Screw	504007	Feed Lifting Rock Shaft Collar Set Screw (4)
154789-451	Bed Slide Spring Screw (2)	504007	Feed Rock Shaft Collar Set Screw (2)
154884	Bed Slide Spring	504010-451	Oil Removing Pump Piston Spring Bracket Set Screw
154971	Face Plate Screw (3)	504025	Bell Crank Bracket Set Screw (2)
154963	Presser Bar Lifting Lever Connecting Rod Nut (2)	504029	Feed Rock Shaft Driving Frame Hinge Pin Set Screw (2)
374100	Needle Bar Crank Position Screw	504047	Tension Stud Set Screw
375234	Bed Hole Plug	504051	Feed Regulating Dial Lock Pin Set Screw
376217	Rotating Hook Shaft	504051	Feed Dog Screw (2)
376218	Rotating Hook Shaft Oil Retaining Collar with two 504134	504051	Feed Regulating Dial Stopper Screw (2)
		504063-451	Arm Side Shield Screw
376219	Rotating Hook Shaft Balance with two 504134	504063-451	Presser Foot Screw
376220	Rotating Hook Shaft 376227 with 376218	504063-451	Slack Thread Regulator Screw
376227	Rotating Hook Shaft 376217 with 505648	504063-451	Thread Take-up Lever Guard Screw
376229	Feed Rock Shaft Driving Link (small) Pin (2)	504063-451	Thread Take-up Lever Oil Guard Screw
376240	Feed Rock Shaft Driving Link (small) Pin Set Screw (2)	504064	Arm Screw (small)
		504066	Arm Shaft (horizontal) Bevel Gear Set Screw (2)
376268	Feed Bar Connecting Link	504071	Oil Pump (centrifugal) (body) Screw (2)
376334	Feed Bar Complete, Nos. 376268, 376335, 540538, 545791, 545808, 545987 and two 504103	504084	Rotating Hook Bobbin Case Holder Position Bracket Screw
376335	Feed Bar Carrier 376336 with 549028 and two 544207-013	504086	Rotating Hook Bobbin Case Tension Regulating Screw
376336	Feed Bar Carrier	504087	Rotating Hook Bobbin Case Tension Spring Screw
376362	Arm Shaft (horizontal)	504094	Feed Rock Shaft Flanged Bushing (front) Set Screw
376363	Arm Shaft (horizontal) and Needle Bar Crank with 374100, 504095 and 504117	504094	Thread Retainer Set Screw
410026	Rotating Hook Bobbin Case Latch	504095	Thread Take-up Crank Set Screw
410027	Rotating Hook Bobbin Case Latch Lever	504099	Arm Top Cover Screw (4)
410713	Arm Top Cover Gasket	504101	Arm Shaft (horizontal) Thrust Collar Set Screw (2)
410718	Presser Bar Lifting Lever with 154781	504101	Arm Shaft (upright) Bevel Gear (lower) Set Screw (2)
410720	Feed Reverse Lever Hinge Stud Flanged Bushing	504101	Arm Shaft (upright) Bevel Gear (upper) Set Screw (2)
410721	Oil Pipe 410722 with 545846 and 545847	504101	Rotating Hook Shaft Bevel Gear Set Screw (2)
410722	Oil Pipe	504103	Feed Bar Connecting Link Cap Screw (2)
410725	Presser Bar Lifting Lever Connecting Rod	504112	Needle Set Screw
410729	Feed and Feed Lifting Eccentric with two 545313	504117	Thread Take-up Crank Clamping Screw
410733	Feed Regulating Plate	504118	Needle Bar Connecting Link Cap Screw
410746	Feed Rock Shaft Driving Frame Hinge Pin (front)	504119	Machine Pulley Set Screw (2)
410748	Arm Side Shield	504122	Arm Shaft (horizontal) Oil Plug Screw (2)
410806	Feed Lock Shaft Bushing (intermediate)	504129	Needle Bar Bushing (lower) Set Screw
410878	Feed Reverse Lever Complete, Nos. 540623, 540625, 540628, 540690, 549382, 549383 two each 504051 and 540624 (for 300AD/AF)	504129	Needle Bar Bushing (upper) Set Screw
		504129	Presser Bar Bushing (lower) Set Screw
410883	Bobbin Winder Bearing Housing Complete	504134	Feed Regulating Dial Set Screw
410904	Needle Bar Thread Guard	504134	Feed Reverse Lever Hinge Stud Collar Set Screw
411154	Tension Regulating Thumb Nut Washer	504134	Rotating Hook Shaft Balance Set Screw (2)
414126	Rotating Hook and Rotating Hook Bobbin Case Holder Complete, Nos. 545951 and 414127	504145	Rotating Hook Shaft Oil Retaining Collar Set Screw (2)
414137	Rotating Hook Bobbin Case Holder	505001	Oil Removing Tube Retaining Clamp Screw
414139	Rotating Hook, Rotating Hook Bobbin Case Holder and Rotating Hook Bobbin Case Complete, Nos. 544745 and 414126	505151	Arm Dowel Pin (2)
414242	Arm Top Cover with 410713 (for 200AF/300AF)	505152	Tension Releasing Lever Hinge Pin
414245	Bobbin Winder Tension Hole Plug (for 200AF/300 AF)	505317-452	Tension Releasing Lever Spring
414273	Tension Releasing Disc		Bed Slide Complete, Nos. 12431-452, 154884 and two 154789-451
414274	Tension Complete, Nos. 32758, 411154, 414273, 540682, 540684, 541182, 545898, 546928 and two 2102 (for 200AD/AF)	505356	Rotating Hook Bobbin Case Latch Spring
414275	Tension Complete, Nos. 32758, 125314, 411154, 414273, 540684, 541182, 545898, 546928 and two 2102 (for 300AD/AF)	505643	Presser Foot (spring hinged) Complete (for 200 AD/AF)
414286	Feed Lifting Rock Shaft Complete, Nos. 544933, 509287 and 545810	505647	Rotating Hook Shaft Oil Filter Wick Holder
414287	Feed Rock Shaft Complete, Nos. 414288, 502987, and 545389	505648	Rotating Hook Shaft Oil Filter Complete
414288	Feed Rock Shaft	505649	Presser Bar Bushing (lower)
414313	Arm Top Cover and Bobbin Winder Complete, Nos. 414317, 414318, 543855-001, 544243, 544848, 544859, 544862, 544863, 544865 and 544866 (for 200AD/300AD)	508562	Thread Guide Stud (for 200AD/300AD)
		540406	Arm Shaft (horizontal) Flanged Bushing (front)
		540450	Needle Bar Connecting Stud 544881 with 143058
		540476	Thread Take-up Crank Bearing Plate

540254	Needle Bar Bushing (lower) (for 200AD/AF)	543867	Thread Take-up Lever Link
540525	Needle Bar Bushing (lower) (for 300AD/AF)	543368	Thread Take-up Lever Link Hinge Stud
540258	Needle Bar Bushing (lower) Felt	543369	Thread Take-up Lever Link Hinge Stud 543368 with 543370
540538	Thread Take-up Spring Regulator O-ring	543370	Thread Take-up Lever Link Hinge Stud Oil Wick (cotton)
540534	Thread Take-up Spring Regulator Rubber Cap	543371	Oil Removing Tube Retaining Clamp
540538	Feed Bar Carrier Oil Wick (felt)	543399	Feed Regulating Dial Lock Pin Spring
540541	Feed Rock Shaft Oil Wick (outer) (cotton)	543416	Thread Take-up Complete, Nos. 540662, 540676, 540678, 543367 and 543369 (for 200AD/AF)
540546	Needle Bar Bushing (lower) 540525 with 545935 (for 300AD/AF)	543417	Thread Take-up Complete, Nos. 540662, 540676, 540688, 543367 and 543369 (for 300AD/AF)
540549	Thread Guard (side of arm)	543419	Presser Foot (spring hinged) Complete (for 300AD/AF)
540551	Arm Shaft (upright)	543465	Bell Crank Complete
540553	Oil Removing Pump (body)	543493	Oil Pump (centrifugal)
540555	Oil Removing Pump Bracket	543826	Arm Screw (front) Washer (2)
540556	Oil Removing Pump Piston	543855-001	Bobbin Winder Stopper Snap Ring
540557	Oil Removing Pump Piston Spring Bracket	544156	Feed Reverse Lever Spring Screw
540561	Oil Removing Tube	544204-001	Bobbin Winder Tension Set Screw (for 200AD/300AD)
540623	Feed Regulating Dial with 504184, 540689 and 545942	544207-002	Bobbin Winder Actuating Cam Set Screw
540624	Feed Regulating Dial Lock Pin (2)	544207-013	Feed Bar Hinge Pin Clamping Screw (2)
540625	Oil Removing Pump Piston Spring	544212-002	Bobbin Winder Stop Latch Set Screw
540628	Feed Reverse Lever with 545046	544243	Bobbin Winder Bracket Screw Stud
540629	Feed Reverse Lever Complete, Nos. 540623, 540625, 540628, 540690, 549382, 549383 two each 540651 and 540624	544244	Rotating Hook Screw (2)
540630	Feed Reverse Lever Hinge Stud	544246	Rotating Hook Oil Flow Regulating Thumb Screw
540631	Feed Reverse Lever Hinge Stud 540630 with 545825	544368	Arm Screw (front) (2)
540633	Feed Reverse Lever Hinge Stud Collar with 504134	544745	Rotating Hook Bobbin Case Complete, Nos. 410026, 410027, 506356 and 544746
540635	Feed Reverse Lever Hinge Stud Crank with 414737	544746	Rotating Hook Bobbin Case with 504086, 504087 and 540767
540636	Feed Reverse Lever Hinge Stud Crank Connecting Link	544782	Arm Shaft (horizontal) Flanged Bushing (front) Oil Tube Cap
540639	Feed Reverse Lever Spring	544782	Arm Shaft (upright) Bevel Gear (upper) Set Screw Hole Plug
540641	Feed Reverse Lever Spring Retainer	544782	Face Plate Plug (small)
540644	Feed Rock Shaft Crank with 545181 and 549183	544853	Bobbin Winder Bearing (2)
540645	Feed Rock Shaft Driving Frame Complete, Nos. 540635, 540636, 540639, 540644, 540648 to 540650, 540652, 544156, 548091 two each 376239, 540655, 540656 and 549288	544856	Bobbin Winder Pulley
540648	Feed Rock Shaft Crank Connecting Rod with 545181 and two 545059	544857	Bobbin Winder Pulley Ring (rubber)
540649	Feed Rock Shaft Crank Connecting Rod Pin	544859	Bobbin Winder Actuating Cam with 544207-002
540650	Feed Rock Shaft Crank Pin	544862	Bobbin Winder Actuating Cam Stud
540652	Feed Rock Shaft Driving Frame with 545264 and two 376240	544863	Bobbin Winder Stop Latch with 544212-002
540653	Feed Rock Shaft Driving Frame Hinge Pin (back)	544865	Bobbin Winder Spring
540655	Feed Rock Shaft Driving Link (large) (2)	544866	Bobbin Winder Stopper
540656	Feed Rock Shaft Driving Link (small) (2)	544873-452	Thread Take-up Lever Guard
540660	Needle Bar Connecting Link	544874	Face Plate with 544782, 544875 and 544876
540661	Needle Bar Connecting Link 540660 with 540450	544875	Face Plate Plug (large)
540662	Needle Bar Connecting Link Roller Bearing	544876	Face Plate Gasket
540662	Thread Take-up Lever Roller Bearing	544881	Needle Bar Connecting Stud with 549380
540670	Presser Bar Lifting Lever Link	544886	Thread Take-up Crank Clamping Screw Hole Plug
540676	Thread Take-up Lever with 52130	544901	Machine Pulley with two 504119
540677	Thread Take-up Crank (for 200AD/AF)	544933	Feed Lifting Rock Shaft
540678	Thread Take-up Crank 540677 with 504118, 540661 and 540662 (for 200AD/AF)	544954	Rotating Hook Shaft Bushing (front)
540682	Tension Spring (for 200AD/AF)	544956	Rotating Hook Shaft Bushing (back)
540684	Tension Releasing Pin	544957	Rotating Hook Shaft Bushing (back) Oil Felt
540685	Thread Take-up Crank (for 300AD/AF)	544958	Rotating Hook Oil Flow Regulating Thumb Screw Spring
540688	Thread Take-up Crank 540685 with 504118, 540661 and 540662 (for 300AD/AF)	544980	Tension Releasing Lever
540689	Feed Regulating Dial Pin	545033	Arm Screw (back) (2)
540690	Feed Regulating Dial Stopper	545043	Feed Lifting Rock Shaft Crank (front) Clamping Screw
540698	Needle Bar (hollow) with 504112 (for 300AD/AF)	545046	Feed Reverse Lever Clamping Screw
540702	Needle Bar (hollow) with 504112 (for 200AD/AF)	545049	Oil Pump (centrifugal) Impeller Locking Screw
540703	Needle Bar Bushing (upper) Felt	545050	Oil Pump (centrifugal) Screen Frame Screw (3)
540706	Arm Shaft (horizontal) Flanged Bushing (back)	545051	Oil Wick Holder Screw
540707	Arm Shaft (horizontal) Flanged Bushing (back) Oil Seal	545053	Presser Bar Lifter Hinge Screw
540714	Oil Removing Tube Retaining Spring	545054	Presser Bar Lifting Lever Hinge Screw
540719	Oil Pipe Clamping Sleeve Nut	545059	Feed Lifting Rock Shaft Crank (back) Connecting Rod Cap Screw (2)
540720	Arm Shaft (horizontal) Flanged Bushing (front) 540406 with Oil Drain Tube and 540722	545059	Feed Rock Shaft Crank Connecting Rod Cap Screw (2)
540722	Arm Shaft (horizontal) Flanged Bushing (front) Oil Drain Tube Tape	545099	Presser Bar Guide Bracket Clamping and Tension Release Screw
540762	Thread Guide	545181	Feed Rock Shaft Crank Connecting Rod Pin Set Screw
540767	Rotating Hook Bobbin Case Tension Spring	545181	Feed Rock Shaft Crank Pin Set Screw
540771	Needle Bar Bushing (lower) Thread Eyelet	545183	Feed Reverse Lever Spring Retainer Screw
540771	Needle Bar Bushing (lower) Thread Eyelet (for 200AD/AF)	545239	Oil Removing Pump Bracket Set Screw (3)
541170	Bobbin Winder Tension Nut	545264	Feed Rock Shaft Driving Frame Spring Stud
541171	Bobbin Winder Pulley Lock Nut	545313	Feed and Feed Lifting Eccentric Set Screw (2)
541182	Tension Regulating Thumb Nut	545492	Feed Regulating Nut
543363	Oil Wick Holder and Pipe (for 200AD/AF)	545757	Arm Shaft (horizontal) Bevel Gear with two 504066
543364	Oil Wick Holder and Pipe (for 300AD/AF)	545758	Arm Shaft (horizontal) Bushing (center)
543365	Oil Wick Holder Complete (for 200AD/AF)	545762	Arm Shaft (horizontal) Thrust Collar with two 504101
543366	Oil Wick Holder Complete (for 300AD/AF)		

545764 Arm Shaft (upright) Bevel Gear (lower) Right Hand
Spiral with two 504101

545765 Arm Shaft (upright) Bevel Gear (upper) Left Hand
Spiral with two 504101

545766 Arm Shaft (upright) Bushing (lower)

545767 Arm Shaft (upright) Bushing (upper)

545776 Bed Leg (long)

545777 Bed Leg (short) (3)

545791 Feed Bar Hinge Pin

545799 Feed Lifting Rock Shaft Crank (back) Connecting
Rod Hinge Stud

545806 Feed Lifting Rock Shaft Collar with two 504007 (2)

545807 Feed Lifting Rock Shaft Crank (back) with two
549183

545808 Feed Lifting Rock Shaft Crank (front) with 545043

545812 Feed Lifting Rock Shaft Crank (back) Connecting
Rod with two 545059

545825 Feed Reverse Lever Hinge Stud O-ring

545836 Feed Rock Shaft Flanged Bushing (front)

545837 Feed Rock Shaft Collar with two 504007

545839 Feed Rock Shaft Oil Wick (cotton)

545841 Needle Bar Bushing (upper)

545845 Oil Pipe

545846 Oil Pipe Clamping Sleeve

545847 Oil Pipe Clamping Sleeve Nut

545849 Oil Pipe Clamping Sleeve

545852 Oil Pipe 545845 with 540719 and 545849

545855 Oil Pump (centrifugal) Cover

545856 Oil Pump (centrifugal) Impeller

545857 Oil Pump (centrifugal) Screen

545858 Oil Pump (centrifugal) Screen Frame

545864 Presser Bar (hollow)

545868 Presser Bar Lifter

545872 Presser Bar Lifting Lever Connecting Rod Oil Mist
Retaining Disc (felt)

545873 Presser Bar Lifting Lever Connecting Rod Swivel

545875 Presser Bar Lifting Lever Pin

545881 Rotating Hook Bobbin Case Holder Position Bracket

545887 Rotating Hook Shaft Bevel Gear (left hand spiral)
with two 504101

545892 Slack Thread Regulator

545898 Tension Stud

545901 Thread Eyelet (side of arm)

545908 Thread Take-up Lever Oil Guard with 545909

545909 Thread Take-up Lever Oil Guard Wick (cotton)

545909 Oil Wick (cotton) (2)

545936 Needle Bar Bushing (lower) Thread Eyelet (for 300
AD/AF)

545949 Feed Lifting Rock Shaft Flanged Bushing (2)

545949 Feed Rock Shaft Flanged Bushing (back)

545950 Rotating Hook (body) with two 544244

545951 Rotating Hook Complete, Nos. 545950, 545954,
545955, three 549187 and four 549186

545954 Rotating Hooks Section

545955 Rotating Hook Thread Guard

545983 Presser Bar Guide Bracket with 545099

545987 Feed Bar

546927 Thread Take-up Spring Regulator with 504047

546928 Thread Take-up Spring Regulator 546927 with
540533 and 540534

546933 Needle Bar Bushing (lower) 540524 with 540771
(for 200AD/AF)

547242 Bobbin Winder Tension Complete, Nos. 547243,
547246, 541170 and two 547247 (for 200AD/
300AD)

547243 Bobbin Winder Tension Stud

547246 Bobbin Winder Tension Spring

547247 Bobbin Winder Tension Disc (2)

548091 Feed Rock Shaft Driving Frame Pull Back Spring

548970 Presser Bar Lifting Lever Pin Spring

549028 Feed Bar Carrier Clamping Screw (2)

549128 Thread Eyelet (side of arm) Screw

549168 Feed Regulating Plate Screw (2)

549183 Feed Lifting Rock Shaft Crank (back) Clamping
Screw (2)

549183 Feed Rock Shaft Crank Clamping Screw

549186 Rotating Hook Thread Guard Screw (4)

549187 Rotating Hook Section Screw (3)

549288 Feed Reverse Lever Hinge Stud Crank Connecting
Link Screw (2)

549336 Thread Guard (side of arm) Screw

549380 Needle Bar Connecting Stud Clamping Screw

549382 Feed Regulating Screw

549383 Feed Regulating Screw Guide Screw

CAT.1955-01 Needle (135 x 65 #14) (for 200AD/AF)

CAT.1955-01 Needle (135 x 65 #16) (for 300AD/AF)

ACCESSORIES AND ATTACHMENTS

55623 Rotating Hook Bobbin (3)

376214 Machine Base and Oil Reservoir Cushion (back)
with two Wire Nail (2)

376215 Machine Base and Oil Reservoir Cushion (front)
with two Wire Nail (2)

410154 Oil Can (750cc, filled with Singer Type "C" oil)

410186 Machine Rest Pin

414407 Machine Cover

504030 Cloth Guide Screw

505655-012 Universal Bobbin Winder Complete (for 200AF/
300AF)

505656-005 Thread Unwinder (for two spools) Complete,
with three Wood Screw

540522 Machine Hinge Connection (2)

540523 Machine Hinge Connection Cushion (2)

541513 Screw Driver (large)

541514 Screw Driver (small)

541515 Cloth Guide

545754 Machine Base and Oil Reservoir Oil Drain Plug
Screw Gasket

548701 Screw Driver (long)

CAT.1955-01 Needle (135 x 65 #14) (for 200AD/AF)

CAT.1955-01 Needle (135 x 65 #16) (for 300AD/AF)

MACHINE BASE AND OIL RESERVOIR

376216 Machine Rest (rubber) (4)

544976 Machine Base and Oil Reservoir Complete, Nos.
544977-002, 544978, 545036, 545754 and
four 376216

544977-002 Machine Base and Oil Reservoir

544978 Machine Base and Oil Reservoir Gasket

545036 Machine Base and Oil Reservoir Oil Drain Plug Screw

545754 Machine Base and Oil Reservoir Oil Drain Plug Screw Gasket

KNEE LIFTER PARTS

414113 Rock Shaft Complete, Nos. 414115, 545913,
545915, 544895, 545918, 545921, 545922
and two 543823-001

414115 Rock Shaft Knee Arm Plate

414230 Bell Crank Plunger

543823-001 Rock Shaft Thrust Washer (2)

544895 Rock Shaft Knee Arm

545913 Rock Shaft

545915 Rock Shaft Crank

545918 Rock Shaft Knee Arm Hub

545921 Rock Shaft Spring

545922 Rock Shaft Stop Dog

AVAILABLE AT EXTRA CHARGE

52032-452 Throat Plate (large needle hole) (for 149031)

52033-452 Throat Plate (small needle hole) (for 149031)

142080-452 Throat Plate (small needle hole) (for 149057)

142061-452 Throat Plate (large needle hole) (for 149057)

149031 Feed Dog, 19 teeth (22 teeth to the inch)

149057 Feed Dog, 19 teeth (22 teeth to the inch)

410723 Belt Guard with two 544085 and eight 544217-001
(for 200AD/300AD)

414091 Belt Guard with two 544085 and eight 544217-001
(for 200AF/300AF)

414155* Seal Compound

540796 Needle Guard

544085 Belt Guard (lower) Wood Screw (2)

544217-001 Belt Guard Screw (4)

544217-001 Belt Guard Plate Screw (4)

545945 Box Wrench

* Note: Some bushes, etc. are assembled using liquid gasket material. Three Bond 1104 or equivalent.